



# TORISHIMA

Fluid Power

## Accumulator Safety Blocks



All blocks have been designed and manufactured in the UK and are available from stock.



WIND



TIDAL



HYDRO



RENEWABLE



DEFENCE



SUBSEA



PETROCHEMICAL



AUTOMOTIVE



HEAVY PLANT



AEROSPACE



OFF-SHORE



NUCLEAR

# Accumulator Safety Blocks

Accumulator safety blocks provide an important isolation, vent down and over pressure protection service for accumulators. Having a safe protection system for gas charged accumulators is a requirement of the Pressure Equipment Directive 97/23/EC.

The Torishima hydraulic accumulator safety block is fitted with an isolation/shut-off valve that rotates through 90° to isolate the hydraulic accumulator immediately from the hydraulic system that it is installed in, for the purposes of testing, servicing/ maintenance or should the need arise, in an emergency situation, but safely!

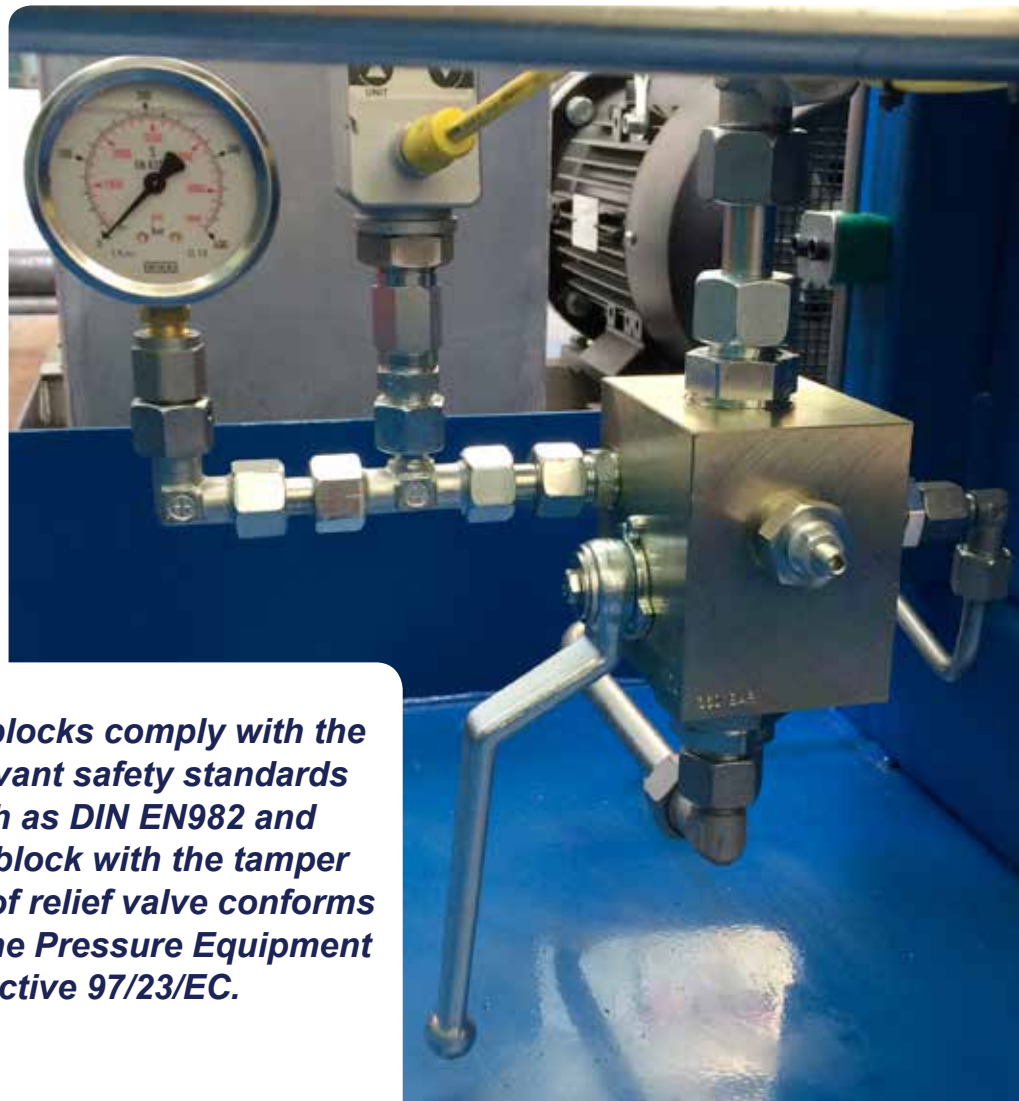
With the hydraulic system now isolated, the hydraulic accumulator can now be safely discharged to reservoir/ tank using either a manual or an electric solenoid discharge valve. Using a solenoid vent system discharges the fluid on system shut down, removing the risk of forgetting to depressurise. The hydraulic system pressure protection is enabled by the pre-installed relief valve. Important safety options include a pressure gauge and a tamper proof valve.

The Torishima hydraulic accumulator safety blocks have been designed & manufactured to be used with various types of accumulators including; bladder, piston and diaphragm. However, it is vital on placement of order with Torishima that you advise us

clearly of the specifications of hydraulic oils that the hydraulic accumulator safety blocks will be used in conjunction with, so we can ensure that they are fitted with the correct hydraulic seals at time of build & test, prior to shipment.

Torishima have purposely designed their hydraulic

accumulator safety blocks to be as compact as possible, to enable easier installation & use in restricted space envelopes, but remains multi-functional, using minimal hydraulic connections to achieve their intended purpose.



*All blocks comply with the relevant safety standards such as DIN EN982 and the block with the tamper proof relief valve conforms to the Pressure Equipment Directive 97/23/EC.*

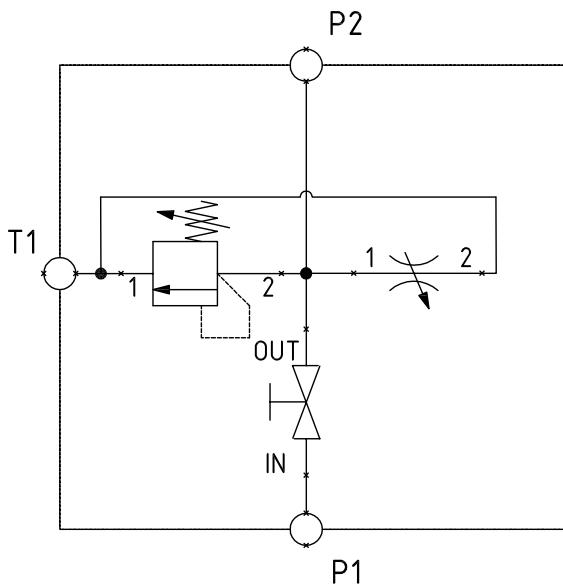
2

ACCUMULATOR  
SAFETY BLOCKS

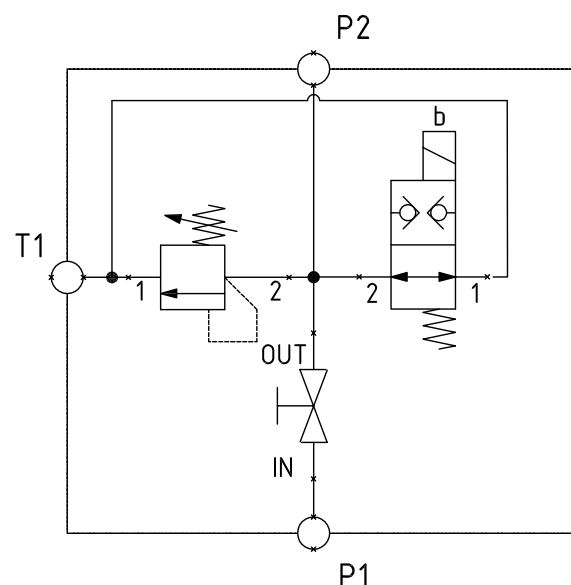
# Standard Blocks

The standard accumulator safety block is fitted with;

- ball valve for isolation
- manual vent valve for fluid discharge
- relief valve for preventing over pressurisation
- M16 x 2 test point for the attachment of a gauge or transmitter



**Manual Vent**



**Solenoid Vent**

## Specification:

- **Maximum Working Pressure** – 315 bar
- **Viscosity Range** – 10 mm<sup>2</sup>/s ( minimum), 380 mm<sup>2</sup>/s (maximum)
- **Filtration** – the system should operate with a maximum ISO4406 cleanliness code 18/1/6/13. The better the cleanliness, the more reliable the components.
- **Fluid Operating Temperature** – -10°C to +70 °C.

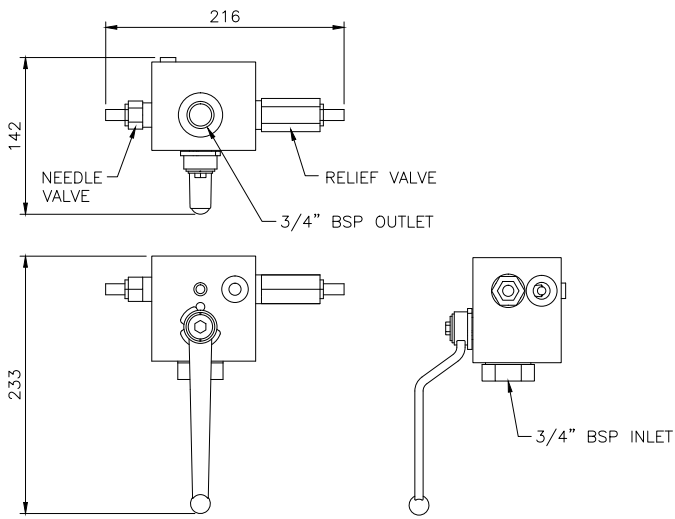


*Available from stock.*

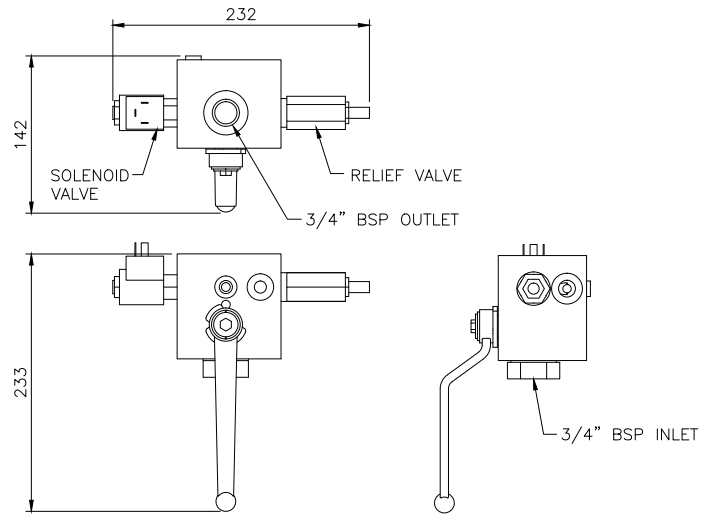
**3**

STANDARD  
BLOCKS

# Size 12

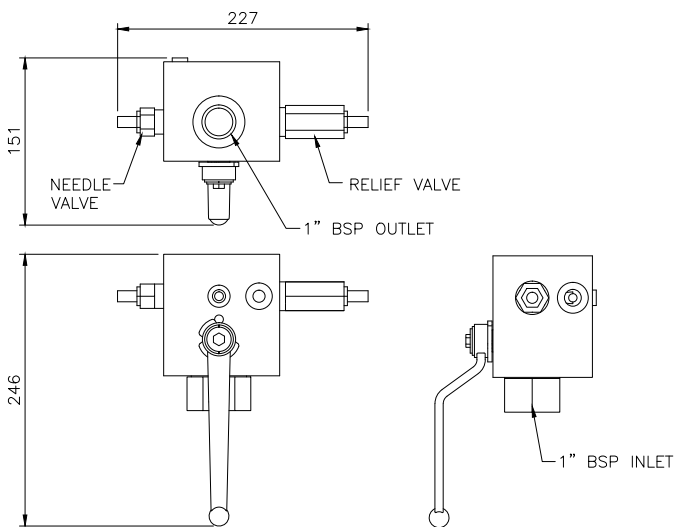


**Size 12 Manual Vent**

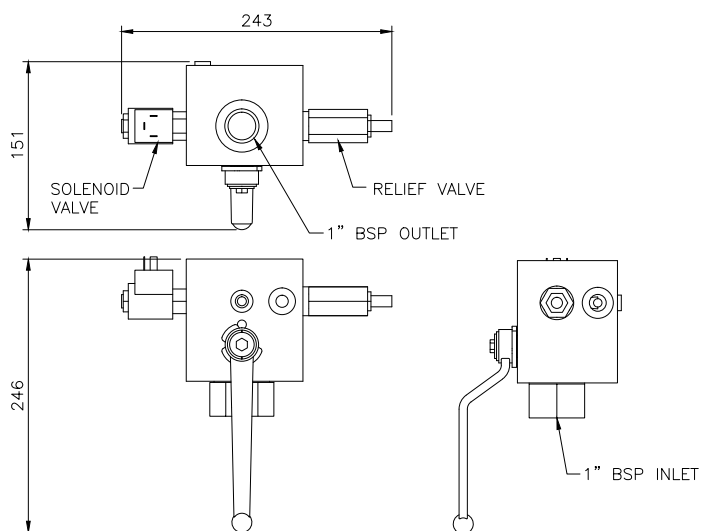


**Size 12 Solenoid Vent**

# Size 20

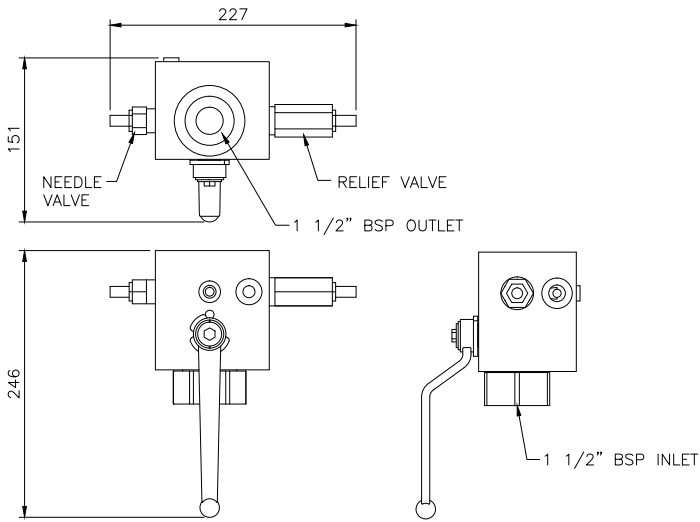


**Size 20 Manual Vent**

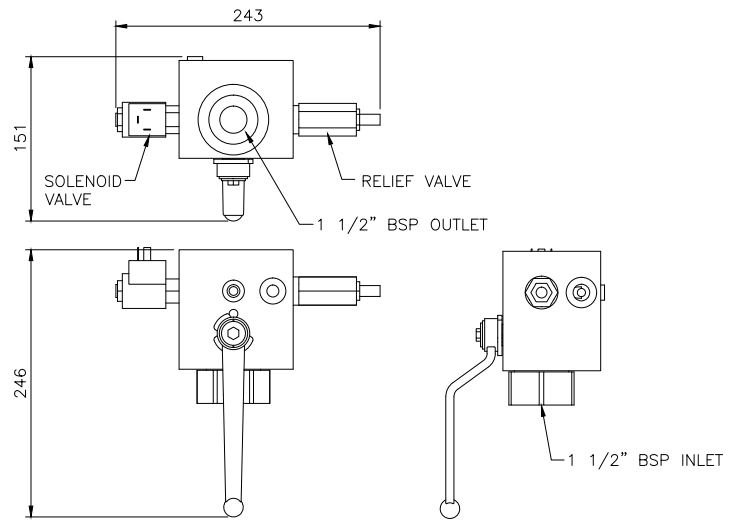


**Size 20 Solenoid Vent**

# Size 32



**Size 32 Manual Vent**



**Size 32 Solenoid Vent**

## Port Sizes

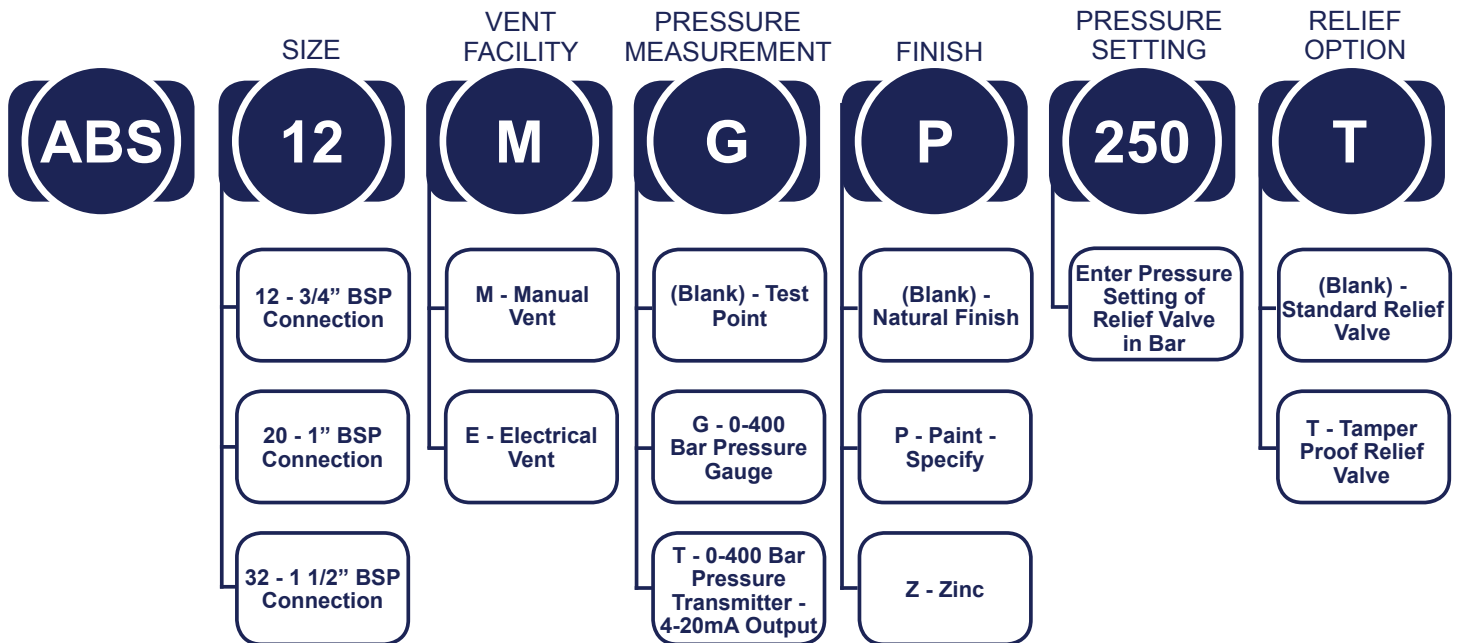
Ports	Description	Size 12	Size 20	Size 32
P1	Inlet	3/4" BSP	1" BSP	1.1/2" BSP
P2	Outlet	3/4" BSP	1" BSP	1.1/2" BSP
P3	Tank	3/8" BSP	3/8" BSP	3/8" BSP



*Designed and manufactured in the UK.*

**If you have any technical questions we will happily help.  
Call us today +44 (0)1926 420847**

# Ordering Options



## Description of Options

- VENT FACILITY – **M** – manual vent down valve
- VENT FACILITY – **E** – electrical vent down valve, normally open, energise to maintain pressure in the block. Electrical supply 24 V DC
- PRESSURE MEASUREMENT – **G** – 63 mm back mounted 0 to 400 bar pressure gauge
- PRESSURE MEASUREMENT – **T** – 0 to 400 bar pressure transmitter with 4 – 20 mA output. Hirschman connection.
- FINISH – **P** – two pack epoxy paint finish to a colour of your choice.
- FINISH – **Z** – zinc plating in black, helps keep corrosion at bay.
- RELIEF OPTION – **T** – tamper proof relief valve set at a pressure of your choice. The block can be CE marked with this feature.



*Same day delivery at competitive prices.*

To place your order call us today +44 (0)1926 420847  
or email [salestfp@torishima.co.uk](mailto:salestfp@torishima.co.uk)

6

ORDERING  
OPTIONS

## Other Options

Call us or email [salestfp@torishima.co.uk](mailto:salestfp@torishima.co.uk) for details.

# Ordering Examples



Ordering code:

(ABS) (12) (M) ( ) ( ) (250) ( )



Ordering code:

(ABS) (12) (M) ( ) (Z) (250) ( )



Ordering code:

(ABS) (12) (M) (G) (Z) (250) ( )



Ordering code:

(ABS) (12) (E) (G) (Z) (250) ( )



# TORISHIMA

## Fluid Power



Designed and manufactured  
in the UK

### Hydraulics Systems



### Lubrication Systems

### Maintenance & Service Support



### Water Hydraulic Valves

### Components & Spares



We are a division of Torishima Service Solutions Europe.

Other divisions:

- Coatings Division – supplying high quality coatings for aggressive environments
- Mechanical Division – on site and in workshop pump overhauls
- Spares Division – provide spares for Torishima's installed pumps



Popular ranges are held in stock, offering same day delivery at competitive prices

+44 (0)1926 420847 • [salestfp@torishima.co.uk](mailto:salestfp@torishima.co.uk) • [www.mgrfluidpower.co.uk](http://www.mgrfluidpower.co.uk)

Unit 34, 23 Longfield Road  
Sydenham Industrial Estate  
Royal Leamington Spa CV31 1XB  
United Kingdom



MGR008/ASB  
- 05/17 V1