



Fluid  
Power Ltd

# TORPack

*“Reliable Hydraulic Power from MGR Fluid Power”*



Hydraulic power units or HPU's are at the heart of any hydraulic system, providing pressure and flow. Reliability is important and that is why our systems contain top quality components and we attend to the smallest details during manufacturing.

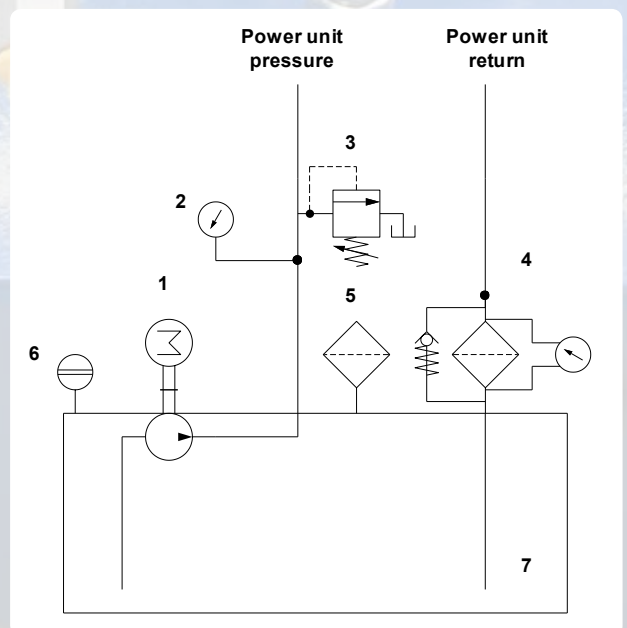
Our HPU's are modular so more components can be added making a more complete system.

## The TORpack modular power pack from MGR Fluid Power offers the following;

- Reliable operation with top quality components
- Short lead time
- Value for money

## Each standard Torpack has the following components;

ID	Description
1	Pump & motor
2	Pressure gauge
3	Relief valve
4	10 micron return filter and visual blockage indicator
5	Filler/breather
6	Level gauge with thermometer
7	Reservoir



Add directional, flow and pressure valves, a motor starter and cylinders for a complete system.



Fluid  
Power Ltd



Below is our standard  
range of Torpacks.

Power Pack Part Number	Max Pressure (bar)	Max Flow (l/min)	Motor Power (kW)	Reservoir Capacity (litres)
MGPP200/4	200	4	1.5	50
MGPP100/8	100	8	1.5	50
MGPP200/8	200	8	3	50
MGPP100/16	100	16	3	50
MGPP200/14	200	14	5.5	100
MGPP100/30	100	30	5.5	100
MGPP200/20	200	20	7.5	100
MGPP100/40	100	40	7.5	100
MGPP200/28	200	28	11	200
MGPP100/58	100	58	11	200

Call us on +44 (0)1926 420847 or email [sales@mgrfluidpower.co.uk](mailto:sales@mgrfluidpower.co.uk) for more information  
[www.mgrfluidpower.co.uk](http://www.mgrfluidpower.co.uk)

MGR Fluid Power Ltd  
Unit 34, 23 Longfield Road  
Sydenham Industrial Estate  
Royal Leamington Spa CV31 1XB  
United Kingdom

